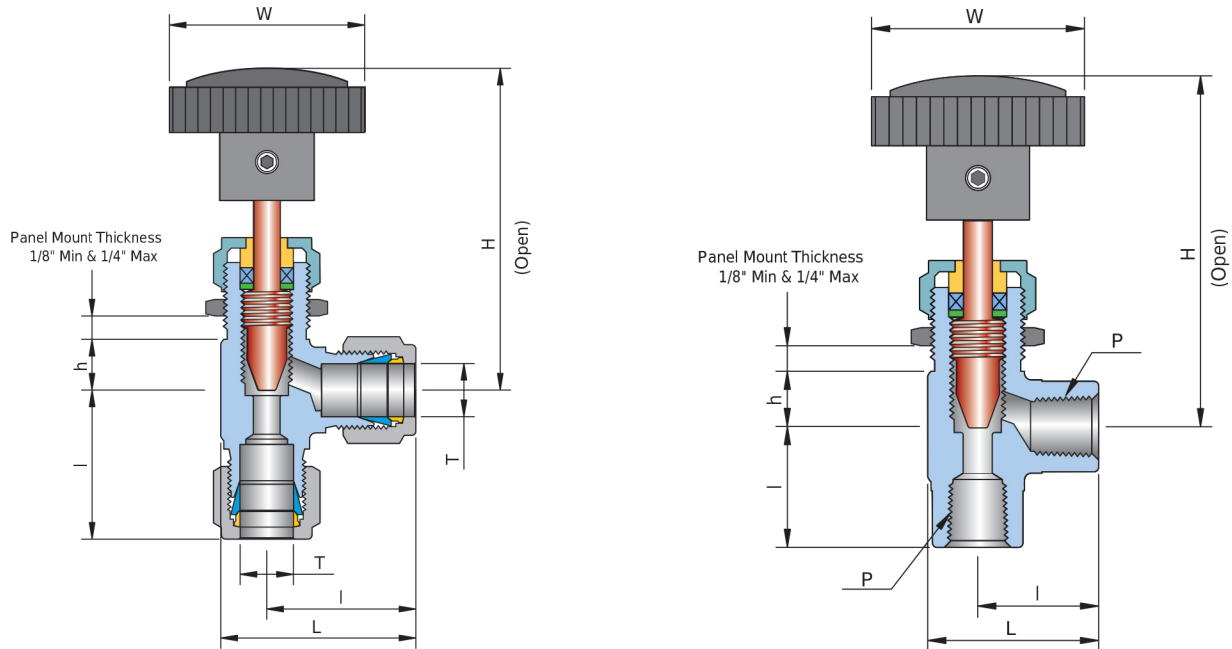


VN5A series (Angle Pattern, Both Kor-Lok Tube Fittings or Both Female Threads)



Ordering Information & Dimensions

Part Number	End Connection		Orifice	CV	Dimensions (mm)					Panel Hole Drill Size
	Inlet	Outlet			L	l	h	Round Handle H(open)	W	
VN52A	U-04T-	1/4" Kor-Lok	4.4	0.37	38.9	30.2	10.1	61.1	34.7	13.5
	U-M06T-	6mm Kor-Lok			39.1	30.5				
	U-M08T-	8mm Kor-Lok			39.3	30.7				
	F-02N-	1/8" Female NPT			29.6	21.0				
VN53A	U-06T-	3/8" Kor-Lok	6.3	0.73	44.2	33.1	12.2	78.4	46.7	20.0
	U-08T-	1/2" Kor-Lok			46.9	35.8				
	U-M10T-	10mm Kor-Lok			44.8	33.7				
	U-M12T-	12mm Kor-Lok			46.9	35.8				
	F-04N-	1/4" Female NPT			37.0	26.0				
VN54A	F-06N-	3/8" Female NPT	7.2	1.80	53.5	39.7	15.9	92.2	55.5	23.0
	F-08N-	1/2" Female NPT								

Female ISO7/1 Tapered Threads (PT) are available for all fractional sizes of VN5 series valves. Add "R" as a suffix instead of "N".

Dimensions are for reference only and are subject to change without prior notice.